

Stock Code: **62580LEDDL-CH/OPL**

Collection: Oslo

### PRODUCT INFORMATION

Base: 62580 Parent: 62580LEDDL  
Mounting Type: Wall UPC: 641594235210  
Finish: Chrome  
Diffuser: Opal

### PRODUCT MEASUREMENTS

FIXTURE	BACKPLATE / CANOPY
Length:	Length 4.5"
Width: 4.5"	Width: .75"
Diameter	Diameter:
Height: 6.25"	Height: 5.5"
Extension: 5.5"	
Overall Height:	

### TECHNICAL SPECIFICATIONS

#### SPECIFICATIONS

Frame Material: Steel  
Diffuser Material: Glass  
Lamping Type: E-26 (Replaceable LED Jbox: Standard  
Lamping Base: E-26 Lamp Wattage: 9 W  
Lamp Quantity: 1 Total Wattage: 9 W  
Voltage: 120v Lamps Included: Yes

#### QUALIFICATIONS

Location Rating Damp  
Certification: UL (US/Canada) Listed  
ADA Compliant: No Energy Star: No  
JA8 Compliant: Yes Emergency Lighting: No  
Marine Grade: No Warranty: 1 Year

#### PHOTOMETRICS

Dimmable: Yes Nominal Lumens 800 Lm  
CRI: 90 Delivered Lumens: N/A  
CCT: 3000K  
Recommended Dimmers:  
(TRIAC)LUTRON Skylark CL SCL-153 or SCL-153P;  
(TRIAC)LUTRON Diva DVCL-153P; (TRIAC)LEVITON Surslide  
6631

#### Additional Notes:

Reversible Mounting; Custom Finish 5 Piece Minimum Order  
Quantity

Project Name: \_\_\_\_\_

Location: \_\_\_\_\_

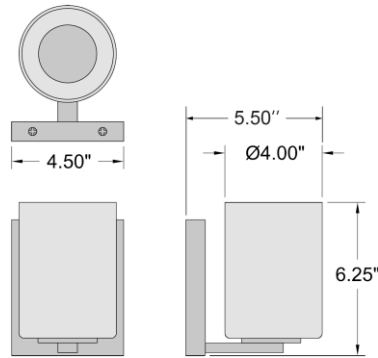
Type: \_\_\_\_\_

Quantity: \_\_\_\_\_

Notes: \_\_\_\_\_



#### LINE DRAWING



#### IES FILE

In addition to Access Lighting's purchase and warranty terms and conditions, by signing below or placing an order, you agree that you are authorized to bind the entity placing any order and acknowledge the following: All of sizes and measurements are approximate and all images are for illustrative purposes only. In the event of an inconsistency, the "Product Measurements" section controls. There also may be slight differences in the colors and designs compared to the displayed and printed images.

Signature: \_\_\_\_\_

Print Name \_\_\_\_\_ Date: \_\_\_\_\_

Toll Free 800-828-5483 [www.AccessLighting.com](http://www.AccessLighting.com)

14410 Myford Road, Irvine, CA 92606

The information is subject to change without notice. 11/3/2022 62580LEDDL-CH\_OPL.pdf

